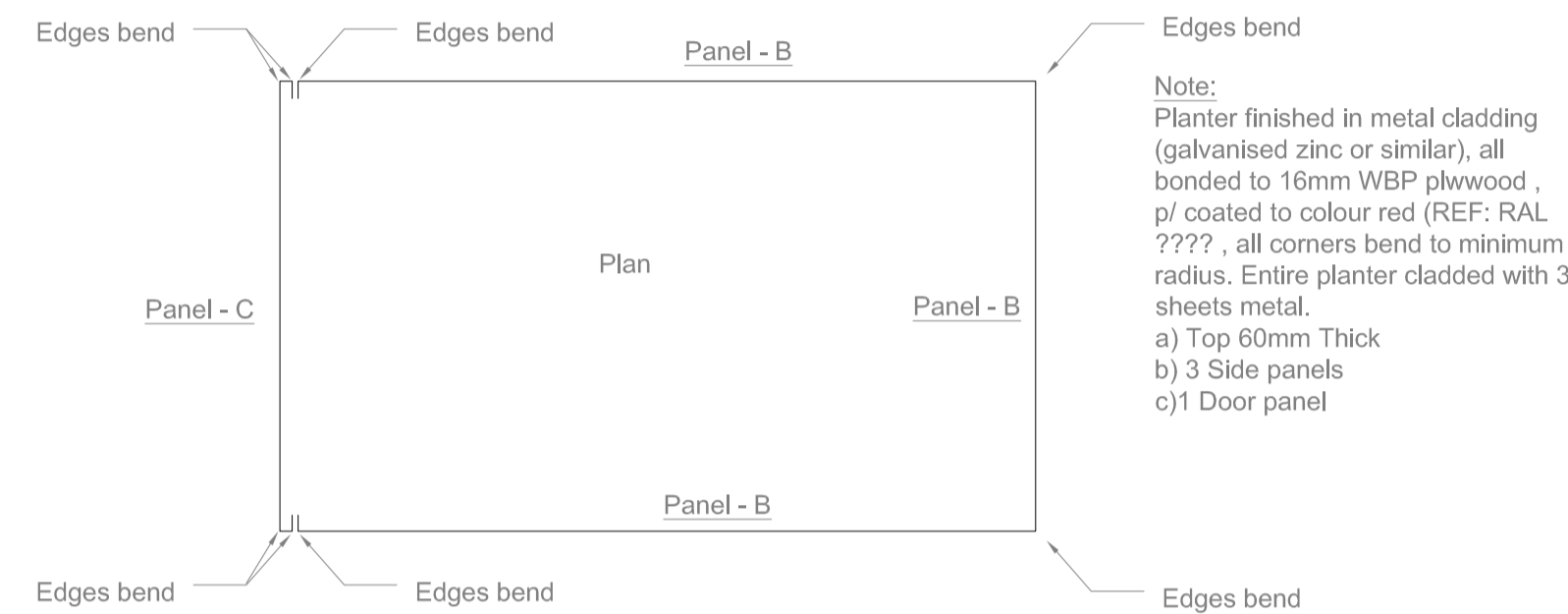
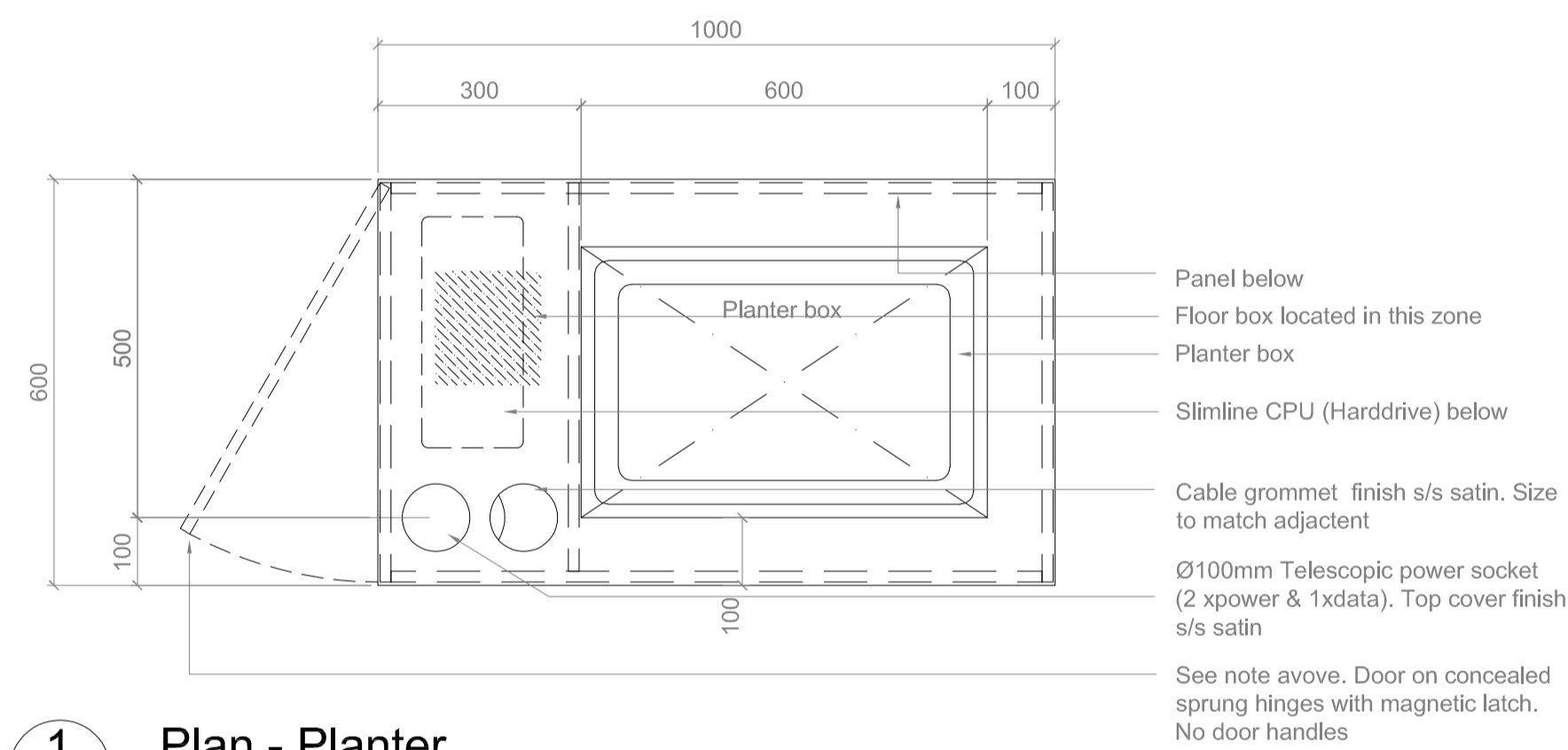


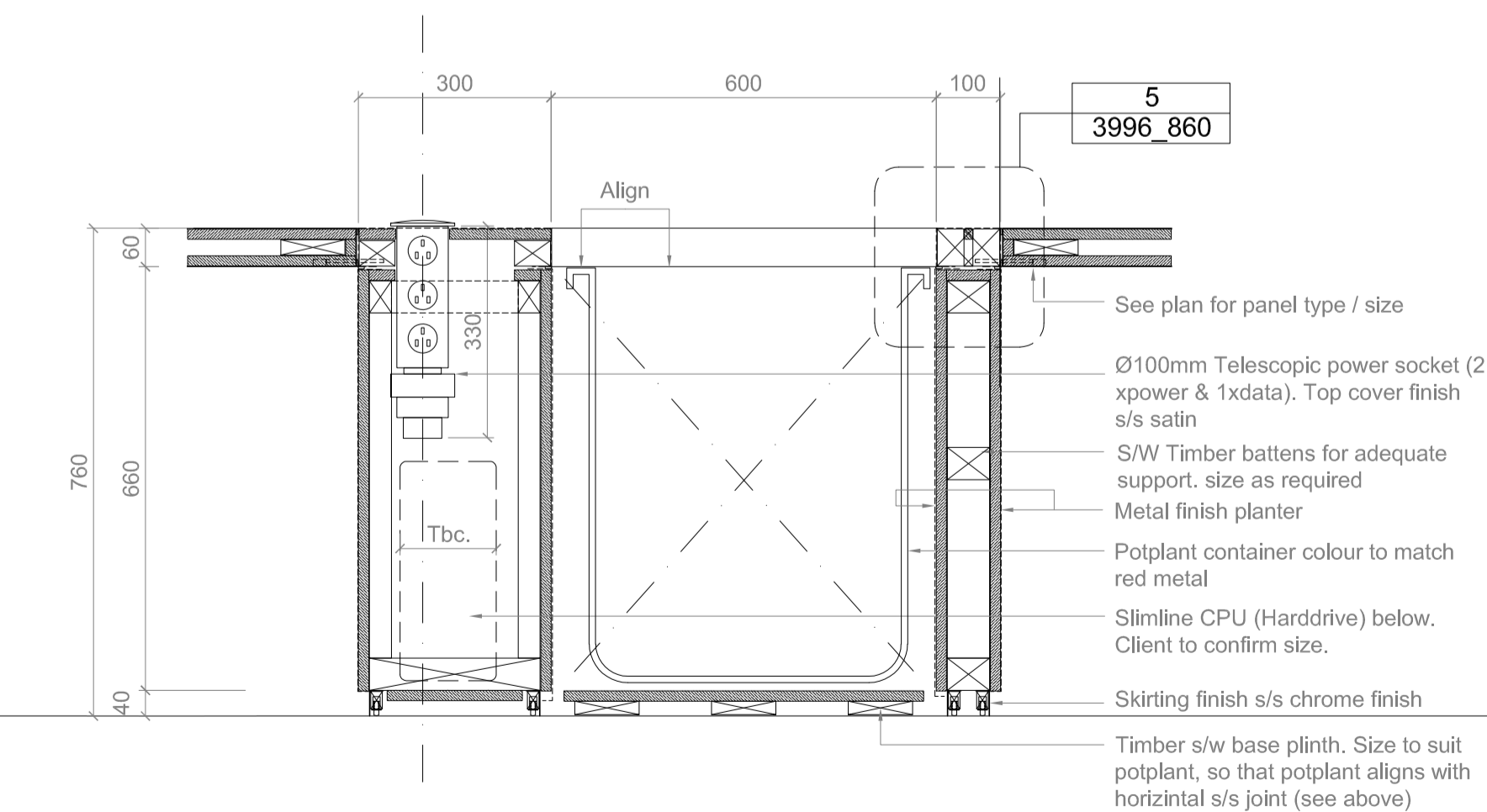
3 Elevation - Planter
Scale 1:10



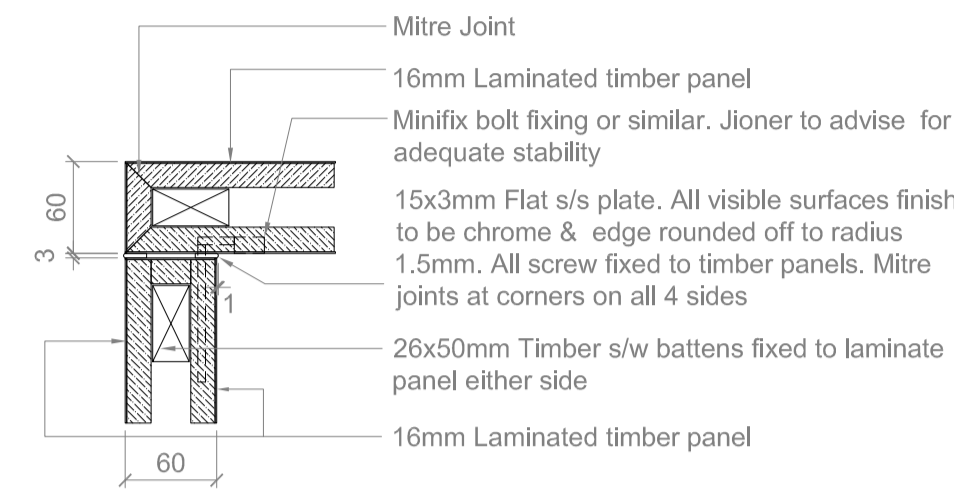
2 Plan - Planter
Scale 1:10



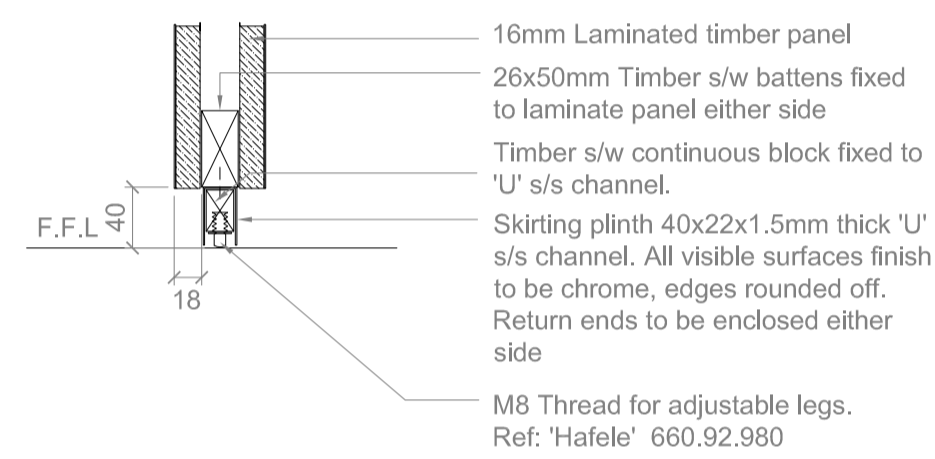
1 Plan - Planter
Scale 1:10



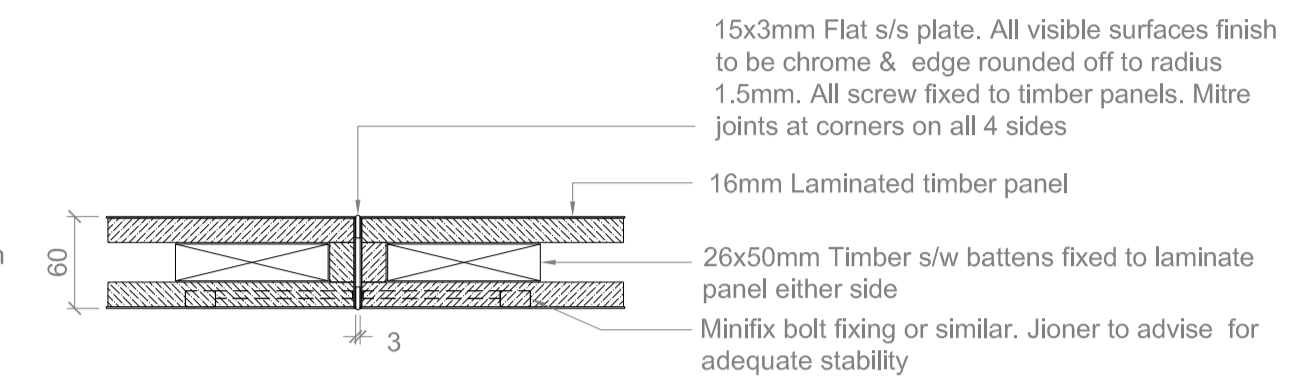
1 Section - Planter
Scale 1:10



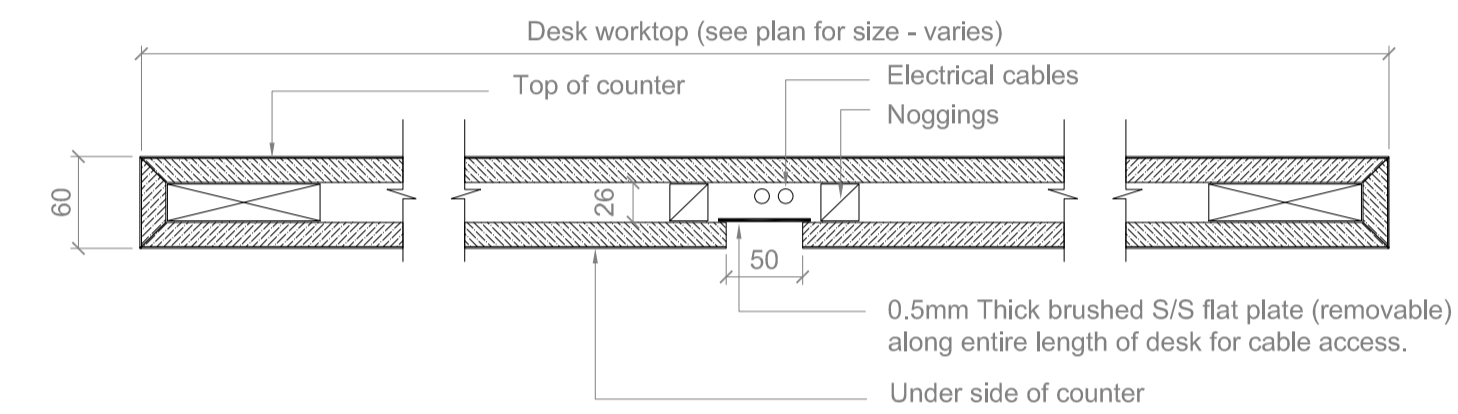
1 Section - Detail
Scale 1:5



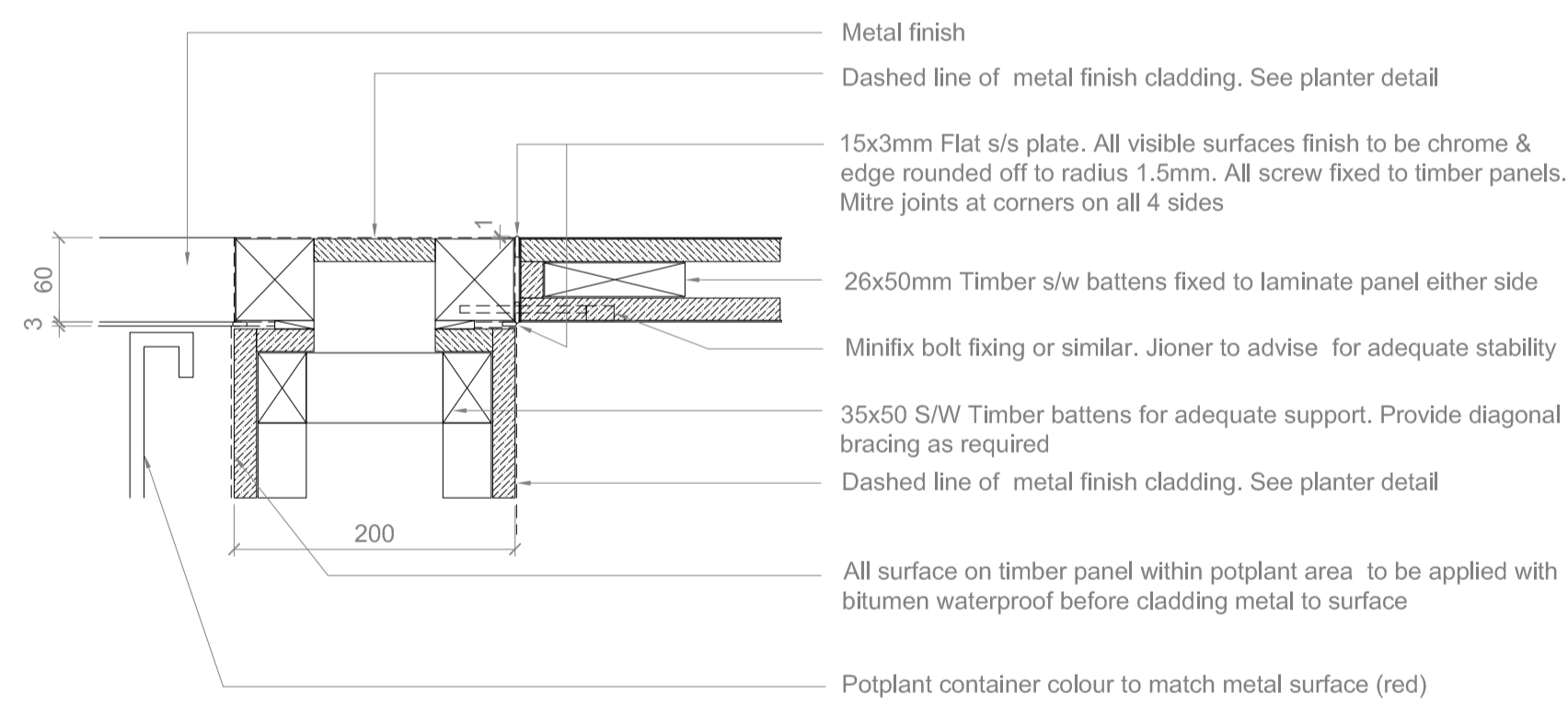
3 Section - Detail
Scale 1:5



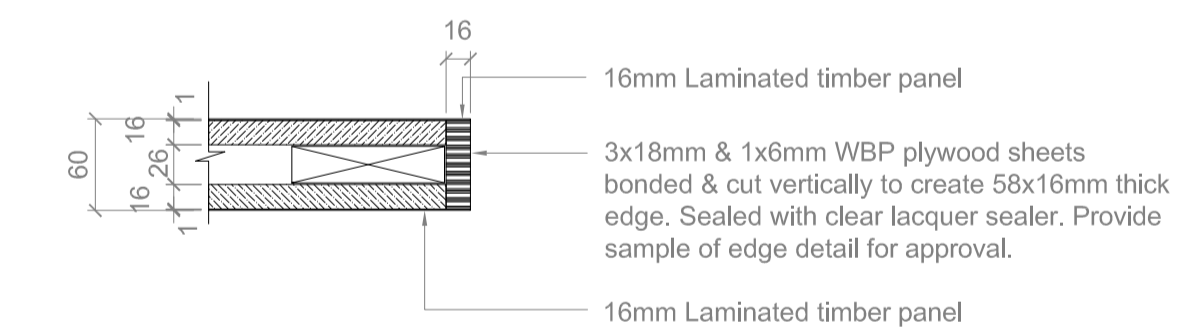
2 Section - Detail
Scale 1:5



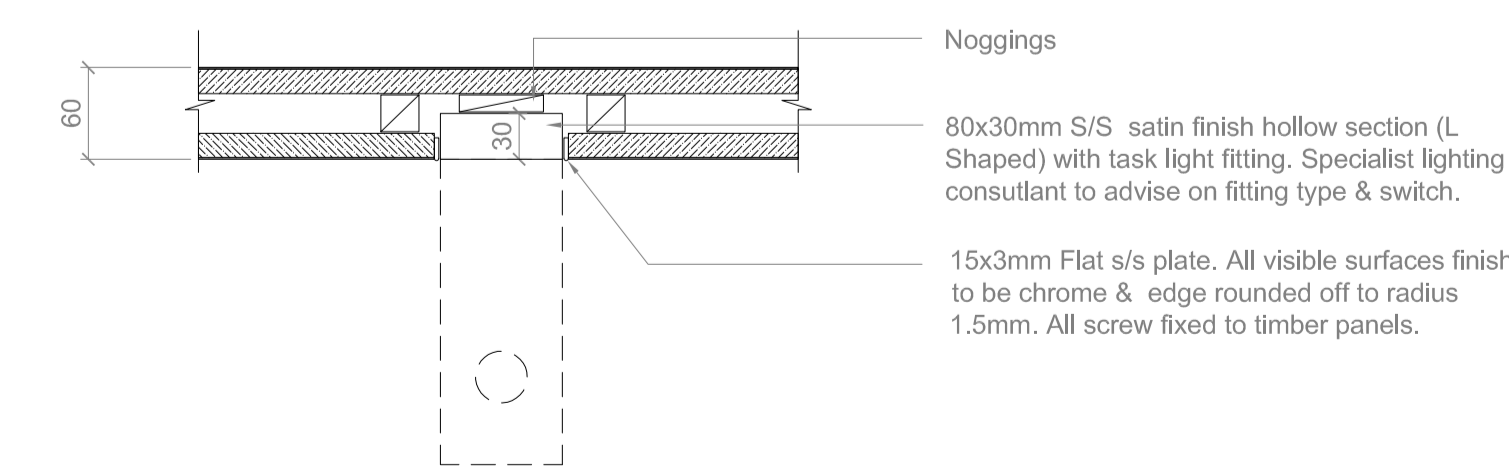
4 Section - Detail
Scale 1:5



5 Section - Detail
Scale 1:5



6 Section - Detail
Scale 1:5



7 Plan - Detail - Task Light
Scale 1:5

Note:
-

GMW Architects



PO Box 1613 239 Kensington High Street
London W6 6SL www.gmw-architects.com
T+44 (0)20 7837 8020 F+44 (0)20 7837 5815

Project
**Network Rail
National Centre
Milton Keynes**

Drawing Title
**Ground Floor - B1 / B3 / B4
Plans, Elevations & Section
Touchdown Desk**

© GMW Architects Do not remove this panel from the drawing
No dimensions to be scaled from this drawing
Report all errors and omissions to the Architect
Dimensions to be checked on site before fabrication

North	Sheet A1	Scale Varies	Drawn VM
	Date 01/03/10		Checked LDO
Project no. 3996	Drawing no. 860		Revision T1